

Flush Valve

Additional Features

- Manufactured from high performance rigid uPVC & PP compound.
- Excellent chemical and corrosion resistance.
- Precise flow control possible.
- Maximum operating pressure 8 kg/cm².
- Available in 40, 50, 63, 75 and 90 mm sizes.
- Light weight

Application

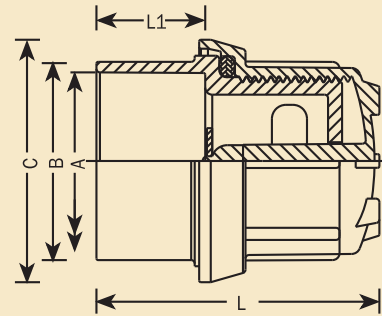
- Suitable for flushing the entire drip irrigation system & water supply line.
- Recommended in micro/ drip irrigation as a flush valve to remove the entrapped dirt from pipe line during flushing.

Ordering Specifications

		XXX
		Size, mm
SVF		40
		50
		63
		75
		90

Example: SVF40 - This code represents Flush Valve of size 40mm .
Can also supplied with Buttress Threads for 63 mm as a SVF63B

Dimensional Specification



Size mm	A mm		B mm	C mm	L1 mm	L mm
	Min.	Max.				
40	40.1	40.3	46.5	69.0	26.0	75.5
50	50.1	50.3	56.5	69.0	31.0	80.5
63	63.1	63.3	69.5	80.5	38.0	96.5
75	75.1	75.3	82.0	96.3	44.0	105.0
90	90.1	90.3	96.5	109.2	51.0	113.0

