



# Gate Valve PL

## Additional Features

- light weight for easier & economical installation
- Manufactured from high performance rigid uPVC / Nylon of compound
- Precise flow control possible
- Low frictional losses
- Excellent chemical & corrosion resistance
- Maximum operating pressure 10 kg/cm<sup>2</sup> (142 psi)
- Available in 50, 63, 75 & 90 mm (1½", 2", 2½" & 3") connection sizes.

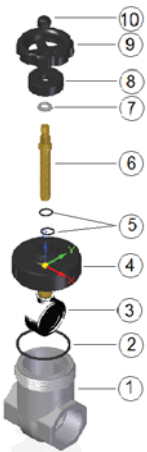
## Applications

- Suitable for flow control in irrigation & water supply lines.

## Technical Specifications

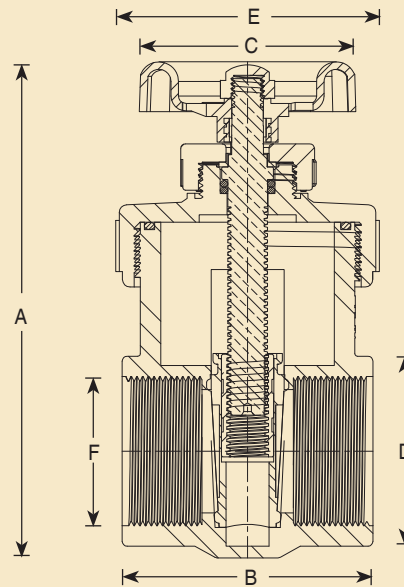
Nominal Diameter (mm)	Flow at 10 m (32.8ft) s		Max. Operating Pressure	
	lpm	gpm	kg/cm <sup>2</sup>	psi
50	2055.7	543.8	10	142
63	4757.1	1258.4	10	142
75	-	-	10	142
90	-	-	10	142

## List of Spares



Sr.No.	Description	Material
1	Body	PVC
2	Body O Ring	Nitrile
3	Wedge	PP
4	Bonnet	Nylon GF
5	Spindle O Ring	Nitrile
6	Spindle	Brass
7	Gland Nut Washer	PP
8	Gland Nut	Nylon GF
9	Handle	Nylon GF
10	Handle Nut	Nylon GF

## Dimensional Specification



Nominal Diameter (mm)	A (mm)	B (mm)	C (mm)	D (mm)	E (mm)	F (inch)
50	200	103	87	63	106	1 1/2"
63	200	101	87	76.5	106	2"
75	247	116	110	89	136	2 1/2"
90	272	129	110	101.5	136	3"

## Ordering Specifications

Code	Description
GV112BSF	PVC Gate Valve 50mm (1.5")
GV200BSF	PVC Gate Valve 63mm (2")
GV250BSF	PVC Gate Valve 75mm (2.5")
GV300BSF	PVC Gate Valve 90mm (3")

