



# Jain ARV - C

## Additional Features

- Manufactured from high performance plastic material
- Excellent chemical & corrosion resistance
- Low frictional losses
- Available in 1" and 2" sizes
- Maximum operating pressure 10 kg/cm<sup>2</sup> (142 psi)
- On demand multiple Air Release Valve assembly can also be supplied.

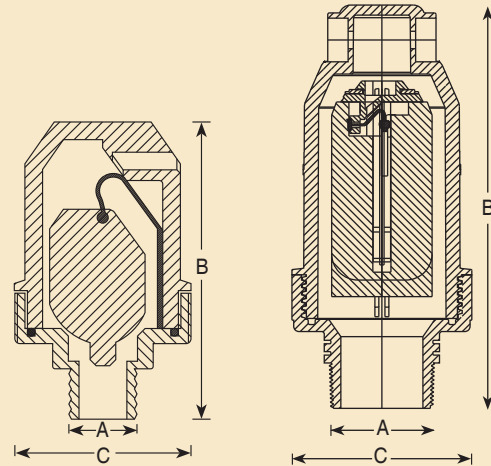
## Application

- Recommended in water supply distribution and long pipeline networks.
- Protects irrigation system and components.

## Technical Specifications

Max. Operating Pressure		Min. sealing pressure	
kg/cm <sup>2</sup>	psi	kg/cm <sup>2</sup>	psi
10	142	0.3	4
10	142	0.3	4

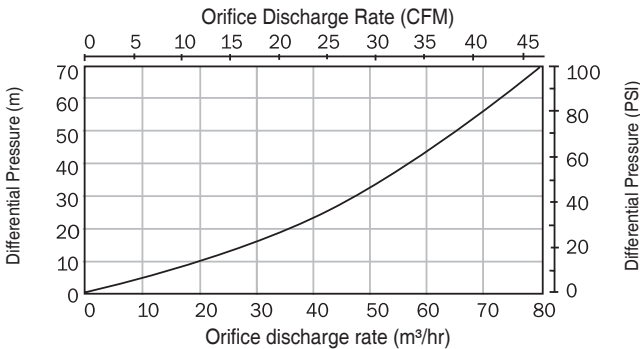
## Dimensional Specification



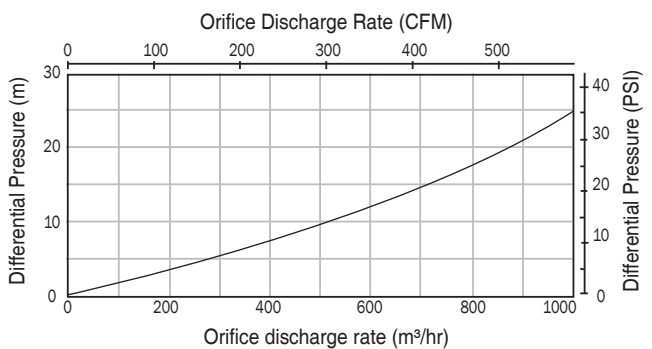
A	B	C
inch	mm	mm
1"	132	81
2"	231	103

Available with BSPT & NPT thread connection.

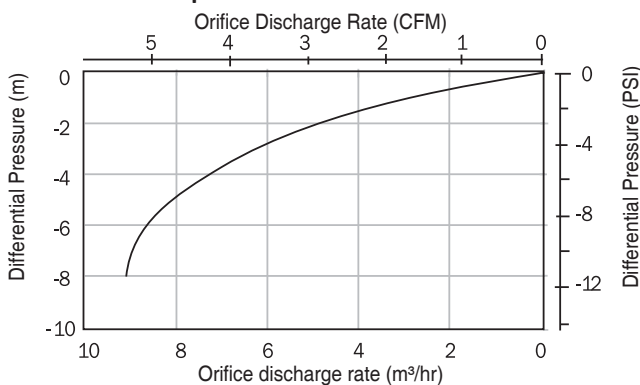
## Performance Graph of Air Expulsion for Jain ARV-C® - 1"



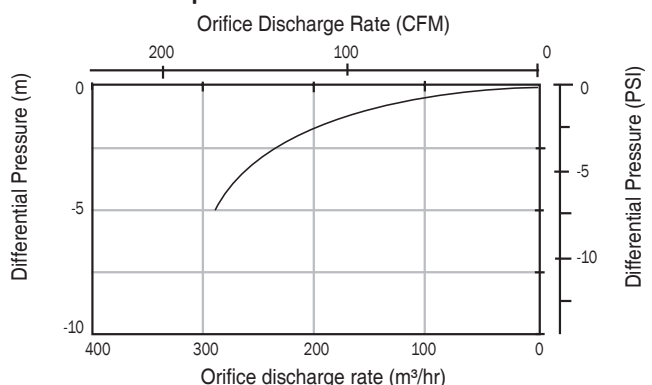
## Performance Graph of Air Expulsion for Jain ARV-C® - 2"



## Performance Graph of Vacuum for Jain ARV-C® - 1"



## Performance Graph of Vacuum for Jain ARV-C® - 2"



## Ordering Specifications - Regular Arv Valve

ARVC	XXX Size, inch
	100 - 1" ; 200 - 2"

Example: ARVC100 - This code represents Jain ARV - C® of size 1" BSP male threaded connection.

## Ordering Specifications - ARV Assembly

	No of ARV	Height in mtr
ARVC200	3	1.5mtr - 15
	4	2 mtr - 20
		2.5 mtr - 25
		3 mtr - 30

Example: ARVC200315 - This code represents Double Action ARV® 2"x 3 in nos with 1.5 mtr height.