

Jain Air Release Valve

Additional Features

- Manufactured from high performance rigid uPVC compound.
- Excellent chemical and corrosion resistance.
- Light weight.
- Maximum working pressure 6 kg/cm² (85 psi).
- Available in ½" to 2½" male threaded, Female threaded, Solvent weld & compression type connection options.
- Available ½" to 1" in Single Union type & 1¼" to 3" in double union type.

Application

Recommended in micro/drip irrigation systems as a safety valve to remove entrapped air and to break the vacuum in the system.

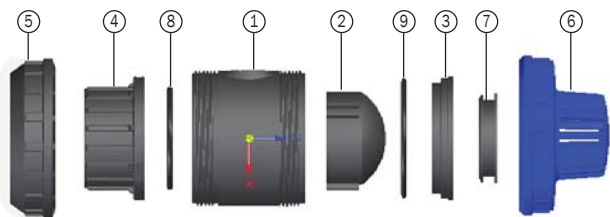
List of Spares

For 20 to 63 mm (Single Union Type)



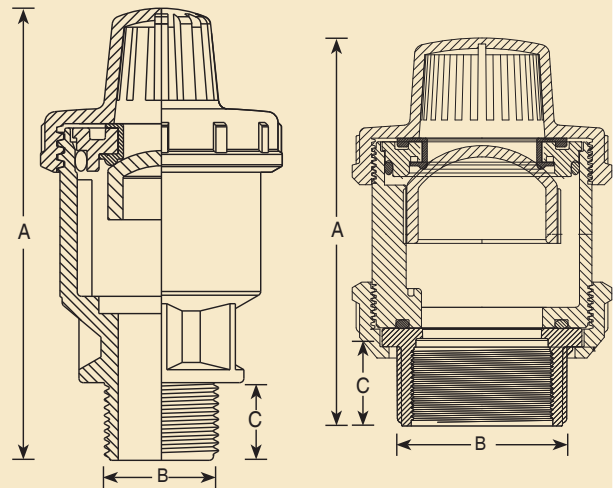
Sr	Description	Material
1	Strainer Union Nut	PVC
2	Seat Support	PVC
3	Rubber Seal	Nitrile
4	Body 'O' Ring	Nitrile
5	Float/ Ball	PVC
6	Body	PVC

For 40, 50, 63, 75 & 90 mm (Double Union Type)



Sr	Description	Material
1	Body	PVC
2	Float/ Ball	PVC
3	Seat Support	PVC
4	Socket	PVC
5	Union Nut	PVC
6	Vent Cap	PP
7	Rubber Seal	Nitrile
8	'O' Ring for Socket	Nitrile
9	'O' Ring for Seat Support	Nitrile

Dimensional Specification



Type	Size	A	B	C
	mm	mm		mm
Male Threaded	20	82.7	½"	15.0
	25	104.8	¾"	16.3
	32	109.0	1"	19.0
	40	130.3	1 ¼"	10.7
	50	137.3	1 ½"	9.8
	63	169.9	2"	11.2
Female Threaded / Plain	20	69.7	½"	15.0
	25	93.4	¾"	16.3
	32	94.0	1"	19.0
	40	109.8	1 ¼"	26.5
	50	127.3	1 ½"	32.8
	63	149.9	2"	59.9
Compression Type	75	206.0	2 ½"	46.6
	90	216	3"	48.1
	20	96.7	20.2mm	-
	25	120.8	25.2mm	-
	32	135.0	32.2mm	-

Ordering Specifications - Single Union

ARV	XX	XX
	Size, mm	Type of Connection
	20 to 63	BM - BSP male threaded BF - BSP female threaded CO - Compression Type

Example: ARV32BM - This code represents Jain Air Release Valve of the size 32 mm with BSP male threaded connection.

Ordering Specifications - Double Union

ARVT	XXX	P
	Connection Size, inch	
	1.25" - 125	
	1.5" - 15	
	2.0" - 2	
	2.5" - 25	
	3" - 3	

Example: ARVT125P - This code represents Jain Air Release Valve of the size 1.25" mm