

Jain Check Valve

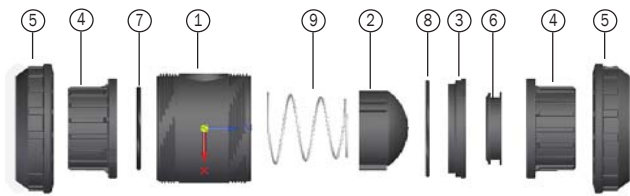
Additional Features

- Manufactured from high performance rigid PVC compound.
- Excellent chemical and corrosion resistance.
- Positive shut off prevents leakages.
- Energy saving, low frictional losses.
- Light weight.
- Maximum working pressure 6 kg/cm² (85 psi).

Application

Recommended in micro/drip irrigation systems as a safety valve to prevent the water hammer and to maintain water column in delivery pipe.

List of Spaires



Sr	Description	Material
1	Body	PVC
2	Floot / Ball	PVC
3	Seat Support	PVC
4	Socket	PVC
5	Union Nut	PVC
6	Rubber Seal	Nitrile
7	'O' Ring for Socket	Nitrile
8	'O' Ring for Seat Support	Nitrile
9	Spring	SS 304

Ordering Specifications - Single Union

PNRV	XX	XX
	Size, inch	Type of Connection
	0.5" - 05	F - Female Threaded
	0.75" - 075	Blank - Male X Female
	1" - 1	

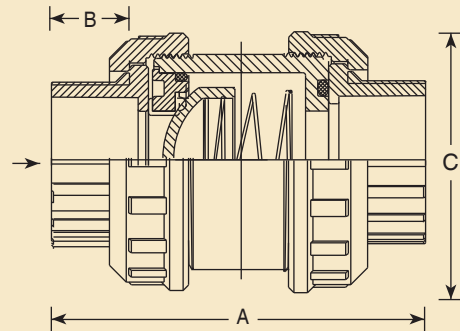
Example: CV32FF - This code represents Jain Check Valve of size 32mm with BSP female threaded connection.

Ordering Specifications - Low Friction Non Return Valve

JNRB	XX	XX
	Size, inch	Type of Connection
	2.5" - 212	F - Female Threaded
	3" - 300	Blank - Male X Female
	4" - 400	

Example: JNRB212F - This code represents Jain Check Valve of size 2.5".

Dimensional Specification



Nominal Diameter		A	B	C
mm	inch	mm	mm	mm
20	1/2"	80.7	9.6	50.0
25	3/4"	89.2	11.2	63.0
32	1"	101.9	16.1	68.0
40	1 1/4"	119.1	18.3	84.0
50	1 1/2"	138.1	21.4	97.6
63	2"	163.7	30.6	118.2
75	2 1/2"	204.6	36.7	138.2
90	3"	214.0	38.8	142.0

Ordering Specifications - Double Union

CV	XX	XX
	Size, mm	Type of Connection
	20	
	25	SW - Solvent Welded
	32	FF - BSP Female x Female
	40	Threaded
	50	MM - BSP Male x Male Threaded
	63	MF - BSP Male x Female Threaded
	75	ed
	90	

Example: CV32FF - This code represents Jain Check Valve of size 32mm with BSP female threaded connection.