

Jain Mini Air Release Valve

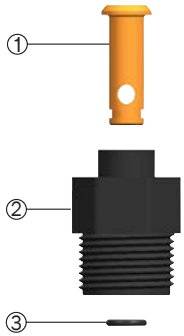
Additional Features

- Reinforced plastic construction.
- Excellent chemical resistance.
- Available in 1/2", 3/4" & 1" BSP male threaded end connection.
- Maximum pressure rating 6 kg/cm² (85 psi).

Application

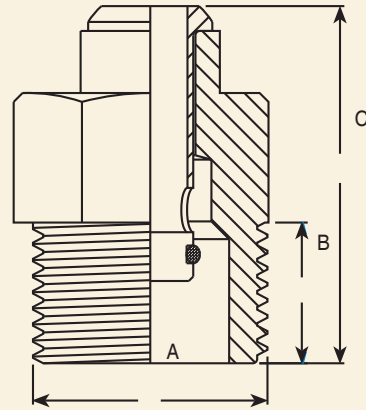
- Recommended in micro/drip irrigation systems as a safety valve to remove entrapped air and to break the vacuum in the system.
- Specially used with micro irrigation filter

List of Spares



Sr.No.	Description	Material
1	Float	Brass
2	Body	POM
3	Float 'O' Ring	Nitrile

Dimensional Specification



Size	A	B	C
inch	mm	mm	mm
1/2"	1/2"	13.2	31.8
3/4"	3/4"	15.9	40.3
1"	1"	33.0	44.0

Ordering Specifications

MARV	XXX
	Size, inch
	012 - 1/2"
	034 - 3/4"
	100 - 1"

Example: DMARV034 - This code represents Jain Mini Air Release Valve of size 3/4" BSP male threaded connection.

