

Jain PVC Ball Valve – DU

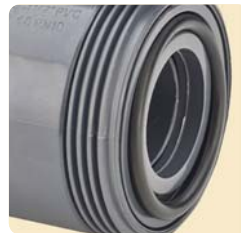
Easy Double Union Control Device



Features & Benefits

Compact Double Union (DU) Design

Compact Double Union (DU) design, manufactured from high performance rigid uPVC compound



Chemical Resistant Nitrile Rubber-O-Rings

Chemical resistant nitrile rubber-O-rings ensures leak proof operation for longer period.

Easy to Install and Dismantle.

Two union nuts provided for both ends provides easiness to install and dismantle valve



Added with Safety

Added with safety for accidental loosening of the ball is prevented

Innovative Two Types of Seat Rings

Available in two seat ring options - economical HDPE seat ring or leak resistance Teflon (PTFE) seat ring for high pressure applications.



Equipped with Leak Proof Handle

Valve Stem with Stem 'O' ring prevents leakage from handle.

Jain PVC Ball Valve – DU

Additional Features

- Manufactured from high performance rigid uPVC compound
- Excellent chemical & corrosion resistance
- Low frictional losses.
- Available in 20 to 90 mm (½" to 3") sizes
- Maximum operating pressure 16 kg/cm² (227 psi)
- Can be supplied with various option

Application

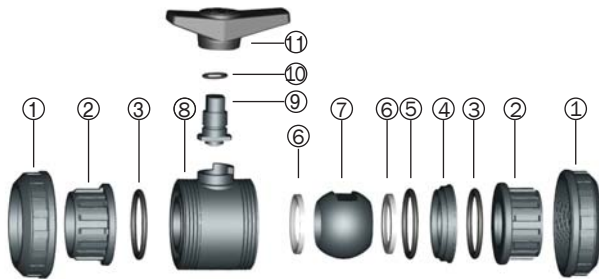
- Used for flow control in irrigation & water supply lines

Technical Specification

Nominal Diameter		Bore Diameter	Flow at 1 kg/cm ² (14 psi) ▲ P		Max. Operating Pressure	
mm	inch	mm	lpm	gpm	kg/cm ²	psi
20	½"	15	200	52.9	16	227
25	¾"	20	385	101.9	16	227
32	1"	25	770	203.7	16	227
40	1¼"	32	1100	291.0	10	142
50	1½"	40	1750	463.0	10	142
63	2"	50	3400	899.5	10	142
75	2½"	63	5250	1388.9	6	85
90	3"	80	7100	1878.3	6	85

* For detailed code please refer the ordering specification.

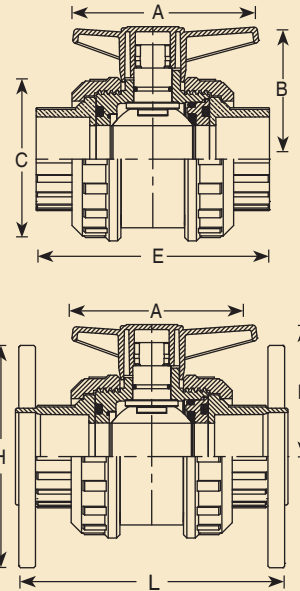
List of Spares



Sr.	Description	Material
1	Union Nut	PVC
2	Socket	PVC / HDPE
3	Socket 'O' Ring	Nitrile
4	Seat Support	PVC
5	Body 'O' Ring	Nitrile
6	Seat Ring	HDPE/ PTFE
7	Ball	PVC
8	Body	PVC
9	Stem	PVC
10	Stem 'O' Ring	Nitrile
11	Handle	ABS

* Female X Female, Solvent X HDPE Ends at both sides, compression end at both side

Dimensional Specification



Nominal Diameter	A	B	C	D	E	L	H
mm inch	mm						
20 ½"	56.50	46.50	49.50	16.50	79.50	93.20	98.10
25 ¾"	67.60	55.50	63.00	20.00	92.00	103.56	107.25
32 1"	75.20	62.50	68.00	23.00	103.00	117.28	118.30
40 1¼"	91.10	71.50	83.00	26.35	122.35	146.21	136.30
50 1½"	111.00	80.00	97.00	32.00	140.15	159.61	158.00
63 2"	135.60	95.50	118.00	36.00	171.35	191.39	180.70
75 2½"	148.00	114.30	138.00	44.20	207.90	228.52	219.15
90 3"	194.00	153.00	181.00	52.00	273.00	315.00	185.00

Ordering Specifications

BV	XX	X	XX
	Size, mm	Seat Ring Material	Type of Connection
	20		SW - Solvent Welded
	25		FF - BSP Female x Female Threaded
	32		MM - BSP Male x Male Threaded
	40	H - HDPE	Threaded
	50	T - Teflon (PTFE)	MF - BSP Male x Female Threaded
	63		BF - BS Flanged
	75		AF - ANSI Flanged
	90		HBF - HDPE Pipe End

Example: BV50HFF - This code represents Jain PVC Ball Valves® - DU of Size 50 mm BSP female threaded connection with HDPE seat ring.