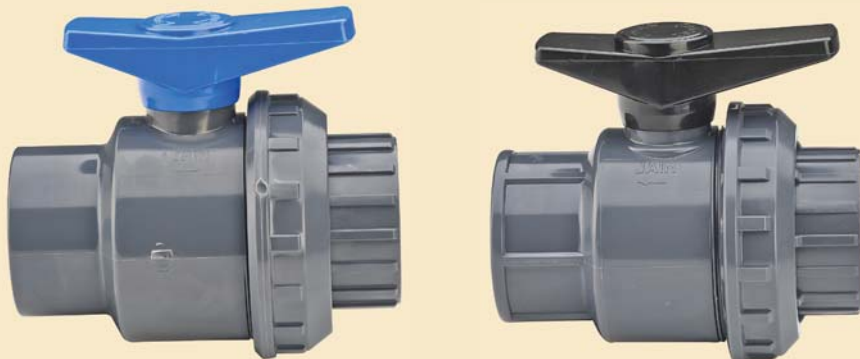


Jain PVC Ball Valve - SU

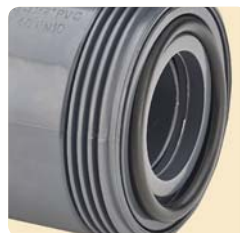
Strong & Durable Single Union Valve



Features & Benefits

Compact Single Union (SU) Design

Innovative design manufactured from high performance rigid uPVC compound



Chemical Resistant Nitrile Rubber-O-Rings

Chemical resistant nitrile rubber-O-rings ensures leak proof operation for longer period

Easy to Install and Dismantle.

Single union nut provided for one end provides easiness to install and dismantle valve

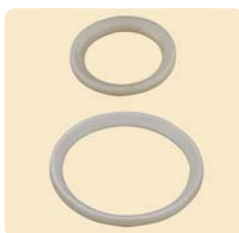


Various Options for Connections

Available in solvent weld, threaded, PE pipe end and compression connectivity options

Innovative Two Types of Seat Rings

Available in two seat ring options - economical HDPE seat ring for applications or leak resistance Teflon (PTFE)



Specially Designed Ball for Sealing

Valve assembled with specially designed ball for sealing (after closing the valve)

Jain PVC Ball Valve - SU

Additional Features

- Manufactured from high performance rigid uPVC compound
- Excellent chemical & corrosion resistance
- Low frictional losses
- Available in 20, 25, 32, 40, 50, 63 & 75 mm sizes
- Maximum operating pressure 16 kg/cm² (227 psi)
- Can be supplied in female x female threaded, female x male threaded, female x solvent weld and female threaded by compression joint connection.

Application

For flow control in irrigation & domestic water supply lines

Technical Specifications

Nominal Diameter		Bore Diameter	Flow at 1 kg/cm ² (14 psi) ▲ P	
mm	inch	mm	lpm	gpm
20	1/2"	15	200	52.9
25	3/4"	20	385	101.9
32	1"	25	770	203.7
40	1 1/4"	32	1100	291.0
50	1 1/2"	40	1750	463.0
63	2"	50	3400	899.5
75	2 1/2"	63	5250	1388.9

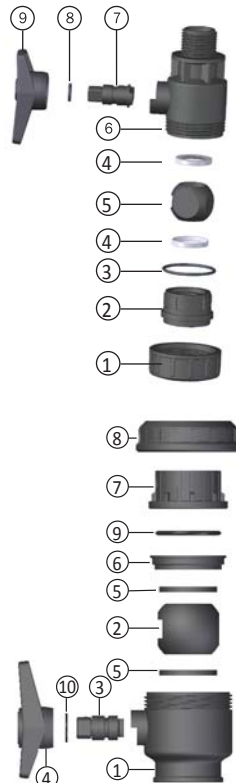
List of Spares

For 20, 25 & 32 mm Valves

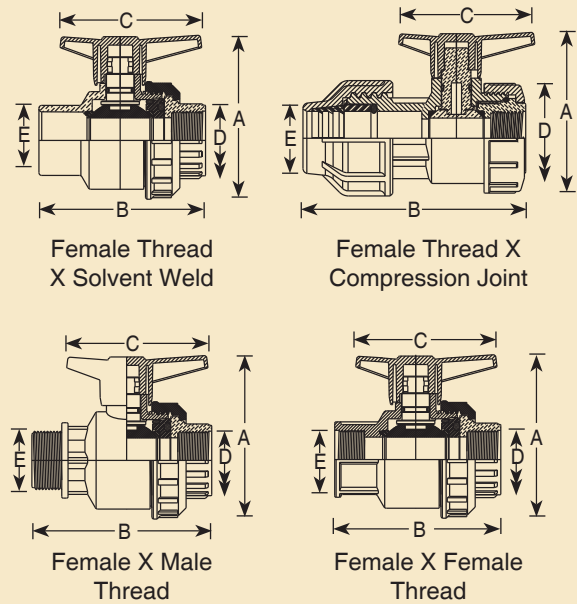
Sr.	Description	Material
1	Union Nut	PVC
2	Socket	PVC
3	Body 'O' Ring	Nitrile
4	Seat Ring	HDPE/PTFE
5	Ball	PVC
6	Body	PVC
7	Stem	PVC
8	Stem 'O' Ring	Nitrile
9	Handle	ABS

For 40, 50, 63 & 75 mm Valves

1	Body	PVC
2	Ball	PVC
3	Stem	PVC
4	Handle	ABS
5	Seat Ring	PVC
6	Seat Support	PVC
7	Plain Socket	PVC
8	Union Nut	PVC
9	'O' Ring for Seat Support	Nitrile
10	'O' Ring for Stem	Nitrile



Dimensional Specification



Connection Type	Nominal Diameter		A	B	C	D	E
	mm	inch					
Female X Female Thread	20	1/2"	66.5	55.5	57.0	1/2"	1/2"
	25	3/4"	84.5	78.0	66.0	3/4"	3/4"
	32	1"	96.8	85.0	75.0	1"	1"
	40	1 1/4"	110.8	110.8	91.2	1 1/4"	1 1/4"
	50	1 1/2"	126.4	121.3	111.0	1 1/2"	1 1/2"
Female X Male Thread	63	2"	151.5	150.4	135.6	2"	2"
	75	2 1/2"	178.9	200.2	148.1	2 1/2"	2 1/2"
	20	1/2"	66.5	69.0	57.0	1/2"	1/2"
	25	3/4"	84.5	90.0	66.0	3/4"	3/4"
	32	1"	96.8	101.5	75.0	1"	1"
Female Thread X Solvent Weld	40	1 1/4"	110.8	110.8	91.2	1 1/4"	1 1/4"
	50	1 1/2"	126.4	121.3	111.0	1 1/2"	1 1/2"
	63	2"	151.5	150.4	135.6	2"	2"
	75	2 1/2"	178.9	200.2	148.1	2 1/2"	2 1/2"
	Female Thread X Compression Joint	20	1/2"	66.5	83.0	57.0	1/2"
25		3/4"	84.5	108.0	66.0	3/4"	26 mm
32		1"	96.8	127.0	75.0	1"	34 mm

Ordering Specifications

	XX	X	XX
	Size, mm	Seat Ring Material	Type of Connection
SUV	20	H - HDPE	FF - BSP Female x Female Threaded
	25	T - Teflon	FM - BSP Female x Male Threaded
	32	(PTFE)	FP - BSP Female x Solvent Welded
			FC - BSP Female Threaded x Compression Joint

Example: SUV20HFM - This code represents Jain PVC Ball Valves® - SU of size 20mm, with one end BSP female threaded and other end BSP male threaded connection with HDPE seat ring.