

Jain PVC Foot Valve®

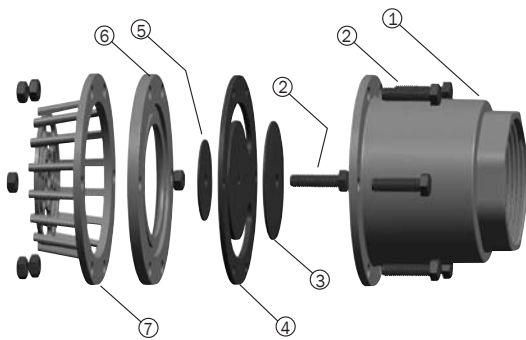
Additional Features:

- Excellent chemical and corrosion resistance
- Light weight, no extra weight on suction pipe.
- 'K' value (friction coefficient of the valve) less than 0.8 ensures low frictional loss.
- Energy savings up to 30%
- Available in sizes of 2½", 3.0" and 4.0" BSPT/NPT female threaded connections (65, 80 & 100 mm)

Application

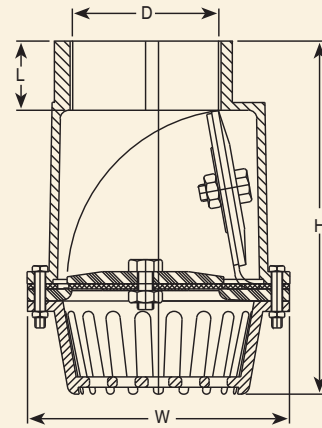
Maintains water column in suction pipe of the pump

List of Spares



Sl.	Description	Material
1	Body	PVC
2	Nut & Bolt	Mild Steel
3	Weight	Cast Iron
4	Rubber Flap	Nitrile
5	Washer	Mild Steel
6	Flange	PVC
7	Strainer	Nylon

Dimensional Specification



Size	D	W	H	L
inch	mm	mm	mm	mm
2½"	65.00	130.00	148.00	23.00
3"	80.00	153.00	185.00	23.00
4"	100.00	200.00	206.00	30.00

Ordering Specifications

JFV	XX	XXX
	Size, inch	Type of Connection
	212 - 2½"	BTF - BSPT female threaded
	300 - 3"	NPF - NPT female threaded
	400 - 4"	

Example: JFV212BTF - This code represents Jain PVC Foot Valves® of size 2½" with BSPT female threaded connection.

