

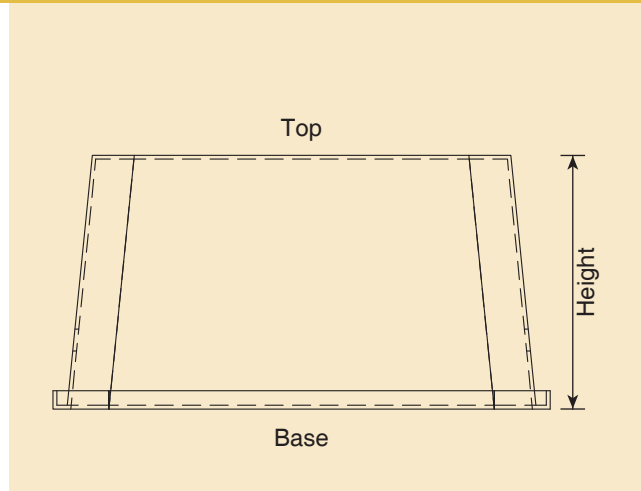
Valve Box/ Meter Box

Additional Features

- Rugged reinforced plastic construction.
- Protects valves from damage due to lawn mowers, other garden equipment and vandalism.
- Leaf green colour of the cover matches to surrounding lawn/ turf.
- Special heavy duty models available.
- Meter Protection box can also be supplied on demand

Application

Valve / Meter guard in Turf / Landscaping and in micro irrigation systems



Technical Specifications

Type	Lock	Pipe Access Hole		Top		Lid		Base		Height	
		mm	inch	mm	inch	mm	inch	mm	inch	mm	inch
Regular	Snap Fit	65	2½"	153	6"	140	5½"	200	8"	240	9½"
	Snap Fit	65	2½"	250	10"	274	10¾"	347	13½"	250	10"
Heavy Duty	Lockable	50	2"	230	9"	230	9"	325	13"	250	10"
	Snap Fit & Lockable	65	2½"	405x275	16x 10.8"	405x275	16x 10.8"	525x393	20.7x 15.5"	325	12"
	Snap Fit			365x535	144x211	365x535	144x211	491x646	193x254	330	130
	Snap Fit			263x434	104x171	263x434	104x171	393x518	155x204	330	130

Ordering Specifications - Valve Box

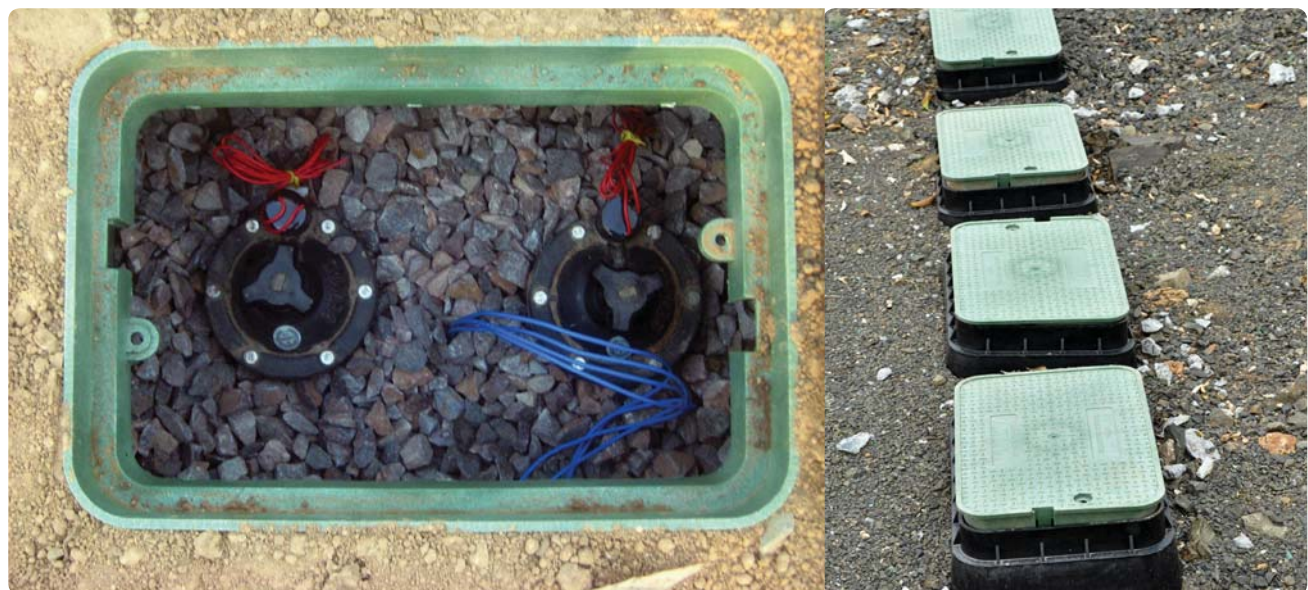
VB	XX	X
	Top Opening (inch)	Model Options
	06	RG - Regular
	09	
	10	H - Heavy Duty
	09	
	12	

Example: VB06RG - This code represents valve box with 6" top openings.

Ordering Specifications - Meter Projection Box

MPB	XX	X
	Top Opening (inch)	Model Options
	8" - 8	RB - Regular
	9" - 9	

Example: MPB8RB - This code represents valve box with 8" top openings.



JAIN VALVE