

Smart Scan Filter – Electric

Smart Innovation for Filtration



Features & Benefits

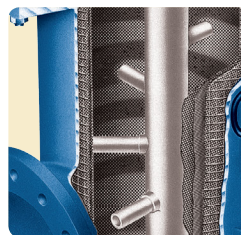
Automatic Flushing Mechanism

Automatic flushing according to pressure differential and/or time with motorized mechanism



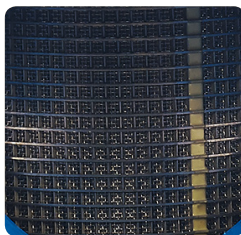
Self-Suction Cleaning Mechanism

Cleaning of the filter is carried out by the suction smart scanner which rotates spirally across the screen



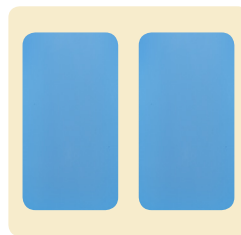
Unique Smart Scan Element

Equipped with Smart-Scan element, Unique filtering element, to assure high performance and effective filtration



Standard Pure Polyester / Epoxy coating for Protecting from Corrosion

Coated with more than 70 micron thick deep blue colored pure Polyester powder on outer surface & Epoxy coating from inner side for protection against corrosion and weather effects



Smart Scan Filter – Electric

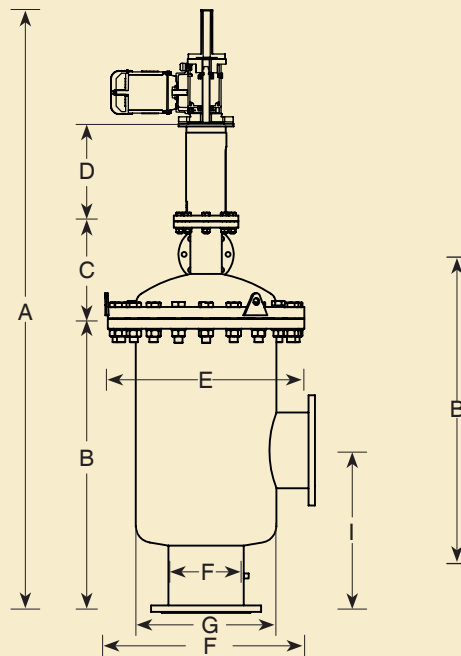
Additional Features

- Mild steel Construction.
- Available in standard mesh of 100 micron size. (other mesh sizes available On demand).
- Flow direction from inside of the element to outside (In to Out).
- Maximum operating pressure 10 kg/cm² (142 psi).
- Smart Scan filter can also be supplied in stainless steel body.
- Large filtration area, reliable operating mechanism and simple construction make the filter the ideal solution for filtration of high - flow and poor quality water to very fine filtration degrees.
- No interruption of downstream flow during flushing.
- Minimal volume of reject water allows excellent operation during flush mode.
- Ideal solution for agriculture filtration systems.
- Low pressure drop across the filter

Applications

Used for Water supply systems, Irrigation systems, Cooling Water, Wastewater Treatment, Industrial Pre-Filtration etc.

Dimensional Specifications



Size	A	B	C	D	E	F	G	H	I	
m³/hr	mm									
gpm	mm									
400	1514	2183	1065	350	355	715	275	510	762	588
600	2271	2183	1065	350	355	715	275	510	762	588
800	3028	2183	1065	350	355	715	275	510	762	588
1200	4543	2183	1065	350	355	715	275	510	762	588

Technical Specifications

Nominal Flow Rate		Inlet / Outlet Connection Size	Filtration Area	Size	Backwash Data				Net Weight	
m ³ /hr	gpm				inch	m ²	inch	Flow	Cycle Time	Volume
400	1514	8"	10000	3"	50	220	30	420	342	754
600	2271	10"	10000	3"	50	220	30	420	342	754
800	3028	12"	10000	3"	50	220	30	420	342	754
1200	4543	14"	10000	3"	50	220	30	420	342	754

Clean Pressure Drop Chart

Flow (m ³ /hr)	Size	Pressure Drop(kg/cm ²) w.r.t. Flow (m ³ /hr)							
		100	200	400	500	600	800	1000	2000
400	8"	0.02	0.08	0.20	0.28	0.31	0.50	0.90	-
600	10"	-	0.03	0.12	0.16	0.20	0.30	0.50	-
800	12"	-	0.02	0.09	0.14	0.17	0.20	0.30	1.00
1200	14"	-	0.01	0.04	0.07	0.09	0.14	0.18	0.70

Note: Filters are tested under standard laboratory test conditions.